

Lithium carbonate microwave drying equipment

Advantages of lithium carbonate microwave drying equipment:

1. Leader lithium carbonate microwave drying equipment sticks to the principle of improving efficiency and reducing cost on the basis of energy saving. First of all, the conversion rate of electrical energy to microwave energy is high. The internal heating mode of microwave reduces the heat consumption of heat transfer, and the stainless steel body reflects rather than absorbs the microwave energy, reducing the heat consumption.

In short, lithium carbonate microwave drying equipment can save energy 30%-50%. This is quite effective cost control and has made efforts to improve the overall environment.

2. Lithium carbonate microwave drying equipment using PLC control system, through the system can check the whole process at any time, automatic operation of the whole machine.

3. Lithium carbonate microwave drying equipment has create a good working environment. As mentioned above, the body does not absorb heat, which also improves the working environment of operators, effectively avoids burns, and is safe and comfortable.

4. Automatic lithium carbonate microwave drying equipment can be designed according to the special requirements of customers' unique structure. No matter what kind of lithium carbonate microwave dryer you choose, we can ensure its safety, environmental protection, economic efficiency.

5. Microwave can make the material inside and outside heating and drying at the same time, which shorten the drying process of lithium carbonate, avoiding machine shutdown due to overheat protection caused by continuous high temperature. It can work continuously for 24 hours, greatly improving work efficiency and further saving costs.

6. The design of the lithium carbonate microwave drying machine can completely realize the separation of workers from the machine, ensure the safety of workers, and avoid the mistakes of workers.

7. People can check every step of the drying process at any time, which can make the whole production line run smoothly.

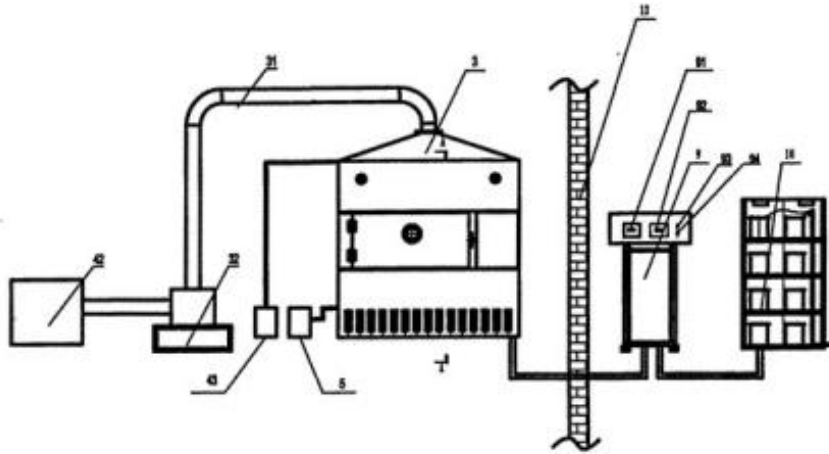
8. The odorless drying process helps to protect workers' health and improve their work efficiency.

9. The whole production process is conducted in a sealed environment, producing useful resources and no pollutants.

Lithium carbonate microwave drying equipment uses the top microwave technology, work efficiently, the quality of the dried lithium carbonate is excellent, is Leader's flagship product. At present, we have a variety of microwave drying lithium carbonate equipment for sale. Customers can choose machine according to their actual needs and budget.

Model	DL-48	DL-80	DL-120
Microwave frequency	according to the need to adjust	according to the need to adjust	according to the need to adjust
Output power	48 KW	80 KW	120 KW

Transmission speed(adjustable)	According to the need to adjust	According to the need to adjust	According to the need to adjust
Leakage value	$\leq 3\text{mw/cubic metre}$	$\leq 3\text{mw/cubic metre}$	$\leq 3\text{mw/cubic metre}$
Size (mm)	7000x840x1800	10500x840x1800	12500x1200x1800
Drying efficiency	120-150kg/h	300-400kg/h	500-600kg/h



Principles of Microwave Drying

Both MW and RF heating and drying are distinctly different from conventional drying methods. The conventional methods are governed by the temperature gradient that exists between the outside temperature and the interior temperature of the material. The heating mechanisms of RF and MW frequencies are different from the conventional 9 methods, as they are not governed by the temperature gradient.

The heating with MW and RF sources arises from the oscillation of molecular dipoles and the

movement of ionic constituents respectively in response to alternating electric fields of high frequency. The resulting energy is absorbed throughout the volume of the wet material. The increase in internal pressure drives out the moisture from the interior of a material to the surface where evaporation takes place.

Commonly used RF and MW frequencies designated by International Convention for Industrial, Scientific, and Medical Applications.

	Frequency (\pm tolerance) MHz	Country
Radio frequency	13.56 & 40.68 \pm .005%, 27.12 \pm 0.6%	World wide
	42, 49, 56, 61 & 66 \pm 0.2%	Great Britain
	84 & 168 \pm 0.005%	Great Britain
	433.92 \pm 0.2%	Australia, Yugoslavia, Netherlands, German Switzerland, Portugal
Microwave	896 \pm 10	United Kingdom
	915 \pm 13	North/South America
	2375 \pm 50	Albania, Bulgaria, Hungary Romania, Czechoslovakia
	2450 \pm 50	Worldwide except countries that use 2375 MHz
	3390 & 6780 \pm 0.6%	Netherlands
	5800 \pm 75 & 24150 \pm 125	Worldwide
	40680	Worldwide United Kingdom

We provide free consulting services, free project planning and design services according to customer requirements. Before leaving the factory, we will debug and check the whole equipment until everything is ok. If you are interested in our machines, please contact us immediately, we are always looking forward to hearing from you.