




## Insulation board drying equipment

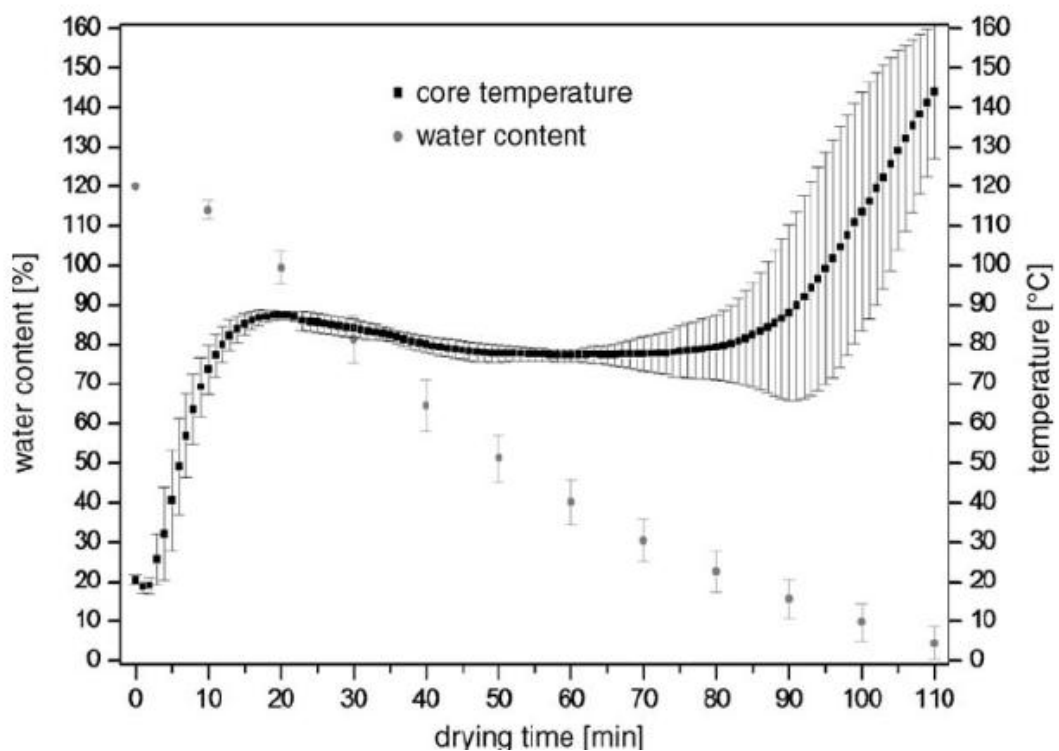
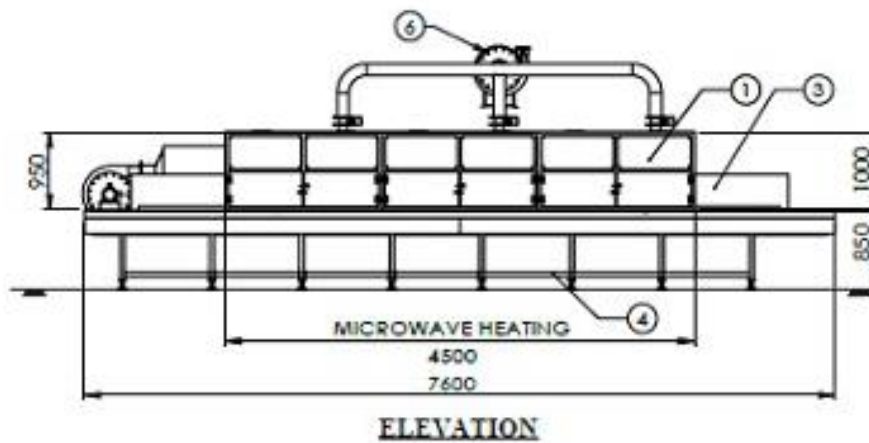
### Advantages of Leader insulation board drying equipment:

- 1.PLC control system: we are equipped with high quality PLC control system for our insulation board drying equipment,operation is easy and reliable.
- 2.Frequency converter: our insulation board drying device adopts high quality frequency converter to ensure stability and safety.
- 3.Insulation board drying equipment has fast drying speed and high efficiency.The results show that the drying speed of microwave is 20-30 times faster than that of convection.Perlite insulation board using microwave drying can be completed in only 5-10 minutes.
- 4.Insulation board drying equipment evenly drying materials,the insulation board will not crack and deform.Due to microwave simultaneously acts on the internal and external parts of the insulation board,heating uniformly, the insulation board treated by microwave, drying effect is uniform and thorough,the surface will not harden, toughness is increased, insulation board has a good color and high quality.
- 5.Moth-proof and mildew-proof, long storage period.Microwave drying insulation board, which can penetrate the insulation board inside, quickly kill the eggs in the insulation board.
- 6.Energy-efficient.Using far infrared ray and steam to dry the insulation board, the energy efficiency is less than 50%.And the energy efficiency of microwave drying can reach more than 75%, energy consumption can be reduced by more than 25%.
- 7.Insulation board drying equipment has advanced technology, and high degree of automation.It can reduce labor cost, and avoid some human error, efficiency greatly improved.

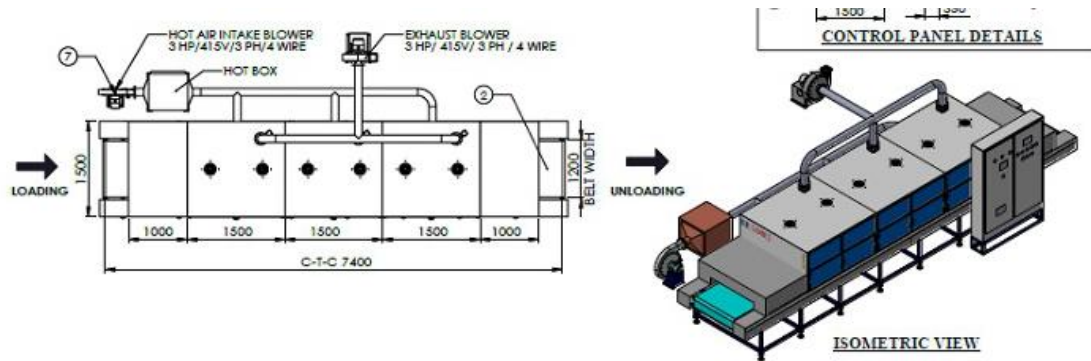
As a professional manufacturer of insulation board drying equipment, we **offer you a variety of options**.You can choose the right equipment according to the following specifications.

Project	Details		
Model	DL-6	DL-10	DL-16
The daily capacity	6T	8T-10T	15-20T

Picture presentation			
Total power	24KW/h	30KW/h	54KW/h
Floor space (L * W * H)	30 * 10 * 8m	30 * 10 * 8m	40 * 10 * 8m
Energy	electricity		
Working procedure	Batch, continuous		
Cooling method	water-cooling		
Lifetime	5-8 Year		



It has been shown that microwave drying of wet processed fibre mats of 20 mm thickness can reduce the drying process by a factor 12, whereas the energy consumption per kilogram of evaporated water is comparable to convective dryers. Furthermore it was shown that insulating boards of thickness greater than 20 mm can be produced in an economic time by microwave technology. The stability properties of the boards were not negatively affected by microwave drying compared to convective drying.



Leader Microwave Equipment Company is the professional manufacturer of heat insulation board drying Equipment. We are looking forward to cooperating with customers all over the world. The demand for insulation boards will continue to increase.

We can work together to produce high quality insulation board. If you want to get high quality insulation board drying equipment or other equipment, such as powder puff drying equipment, please contact us immediately!